

## General Description

These 2-way normally closed globe type valve bodies are designed for on/off or proportional control of commercial or industrial gas burners. The V710 is designed exclusively for use with the AH Hydramotor actuator. The AH Hydramotor valve consists of two assemblies; the valve body and the AH Hydramotor actuator.

The V710 is a push-to-open valve which opens when the valve stem is depressed by an AH Hydramotor actuator. An internal return spring closes the valve when the Hydramotor actuator is de-energized.

## Model Types

### Quick Opening Trim: (Standard)

For applications where metered flow control is not required.

### Quick Opening w/Valve Seal Overtravel Trim: (Suffix V22)

For any "on-off" application where the user, code or approval agency requires a valve seal overtravel arrangement.

### Liner Trim: (Suffix V15)

For applications that require flow control, such as slow opening, low fire turn down, or proportional control.

### Liner w/Valve Seal Overtravel Trim: (Suffix V25)

For applications where both valve seal overtravel and flow control are required. (Not available in 4" flange size).

## Specifications

**Pressure Taps:** Two 1/4" NPT downstream, two 1/4" NPT upstream.

**Fluid:** Fuel Gas

**Valve Parts in Contact with Fluid:**

**Body:** 3/4" to 3" NPT, Die-cast aluminum, 4" Flange - cast iron

**Bonnet:** Die-Cast aluminum

**Seals:** Nitrile

**Springs:** Zinc-plated music wire

**Stem Bushing:** Delrin

**Valve Stem:** 303 s.s.

**Retaining Ring:** 17-7 s.s.

**Pipe Plugs:** Zinc-plated steel

**Seal Ring:** Teflon (models with overtravel)

**Closeoff Pressure:** 25 psi (1.7 bar) maximum



Series V710 Valve Body with AH Hydramotor


## Installation

V710 valve body mounts in any position directly to AH2, AH4, AH8 Hydramotor Actuator.



## Approvals

V710 valve with AH Hydramotor.

 File # MP932, Vol. 17, Sec. 3, Safety Valves

 CSA Certified to:

1) Automatic Gas Valves Z21.21 (6.5), File 109157 and 113070.

2) Automatic Gas Safety Shutoff Valves C/I (3.9), File 113070.

 JI 3000606 Gas Safety Shut-off Valves screws.

## Ordering Information

Important: Order by Catalog Number.  
e.g. V710EASV22

**Specifications (English units)**

Pipe Size (ins.)	Cv Flow Factor	Gas Capacity ①		Operating Pressure Differential (psi)		Fluid & Ambient Temp. °F		Catalog Numbers				Const. Ref.	Approx. Shipping Weight (lbs)
		Btu/hr.	Min.	Max.	Min.	Max.	Quick Opening Trim	Quick Opening w/Valve Seal Overtravel Trim	Linear Trim	Linear w/Valve Seal Overtravel Trim			
<b>COMBUSTION (Fuel Gas) - Normally Closed</b>													
3/4	12	665,000	0	15	-40	150	V710EAS	V710EASV22	V710EASV15	V710EASV25	1	4.0	
1	17	960,000	0	15	-40	150	V710FAS	V710FASV22	V710FASV15	V710FASV25	1	4.0	
1 1/4	25	1,406,000	0	15	-40	150	V710GAS	V710GASV22	V710GASV15	V710GASV25	2	4.2	
1 1/2	30	1,717,000	0	15	-40	150	V710HAS	V710HASV22	V710HASV15	V710HASV25	2	4.2	
2	64	3,620,000	0	10	-40	150	V710JAS	V710JASV22	V710JASV15	V710JASV25	3	9.5	
2 1/2	75	4,250,000	0	10	-40	150	V710KAS	V710KASV22	V710KASV15	V710KASV25	4	13.0	
3	92	5,230,000	0	10	-40	150	V710LAS	V710LASV22	V710LASV15	V710LASV25	4	12.0	
4 (Flange)	180	10,200,000	0	15	-40	150	V710NCF	V710NCFV22	V710NCFV15	-	5	100.0	

\* 1" W.C. Drop @ 2" W.C. Inlet Pressure, 1,000 Btu/cu.ft. or more, 0.64 Specific Gravity Gas.

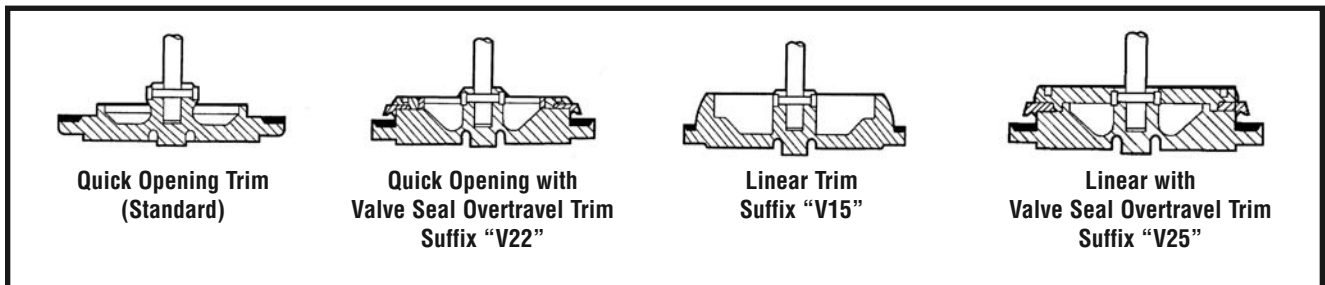
**Specifications (Metric units)**

Pipe Size (ins.)	Kv Flow (m³/hr)	Gas Capacity ①		Operating Pressure Differential (bar)		Fluid & Ambient Temp. °C		Catalog Numbers				Const. Ref.	Approx. Shipping Weight (kgs)
		Btu/hr.	Min.	Max.	Min.	Max.	Quick Opening Trim	Quick Opening w/Valve Seal Overtravel Trim	Linear Trim	Linear w/Valve Seal Overtravel Trim			
<b>COMBUSTION (Fuel Gas) - Normally Closed</b>													
3/4	10.2	665,000	0	1	-40	66	V710EAS	V710EASV22	V710EASV15	V710EASV25	1	1.8	
1	14.5	960,000	0	1	-40	66	V710FAS	V710FASV22	V710FASV15	V710FASV25	1	1.8	
1 1/4	21.3	1,406,000	0	1	-40	66	V710GAS	V710GASV22	V710GASV15	V710GASV25	2	1.9	
1 1/2	25.5	1,717,000	0	1	-40	66	V710HAS	V710HASV22	V710HASV15	V710HASV25	2	1.9	
2	54.4	3,620,000	0	0.7	-40	66	V710JAS	V710JASV22	V710JASV15	V710JASV25	3	4.3	
2 1/2	63.8	4,250,000	0	0.7	-40	66	V710KAS	V710KASV22	V710KASV15	V710KASV25	4	5.9	
3	78.2	5,230,000	0	0.7	-40	66	V710LAS	V710LASV22	V710LASV15	V710LASV25	4	5.5	
4 (Flange)	153	10,200,000	0	1	-40	66	V710NCF	V710NCFV22	V710NCFV15	-	5	45.5	

\* 1" W.C. Drop @ 2" W.C. Inlet Pressure, 1,000 Btu/cu.ft. or more, 0.64 Specific Gravity Gas.

**COMBUSTION**

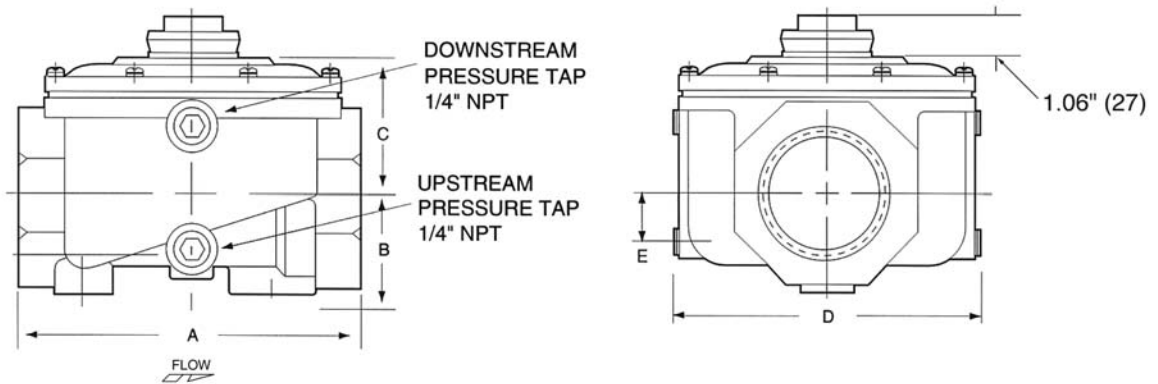
**Trim Types**



### Dimensions inches (mm)

Const. Ref.		A	B	C	D	E
1	ins.	5.78	1.95	2.64	5.19	1.16
	mm	147	50	67	132	29
2	ins.	5.78	2.01	2.94	5.19	0.70
	mm	147	51	75	132	18
3	ins.	8.12	2.66	3.05	8.01	0.96
	mm	206	68	77	203	24
4	ins.	9.00	2.96	3.87	8.01	0.70
	mm	229	75	98	203	18
5	ins.	13.88	5.00	7.40	9.00	0.00
	mm	353	127	188	229	0

Const. Ref. 1 - 4



Const. Ref. 5

